

DIXIE-NARCO, INC.
 SERVICE BULLETIN #129

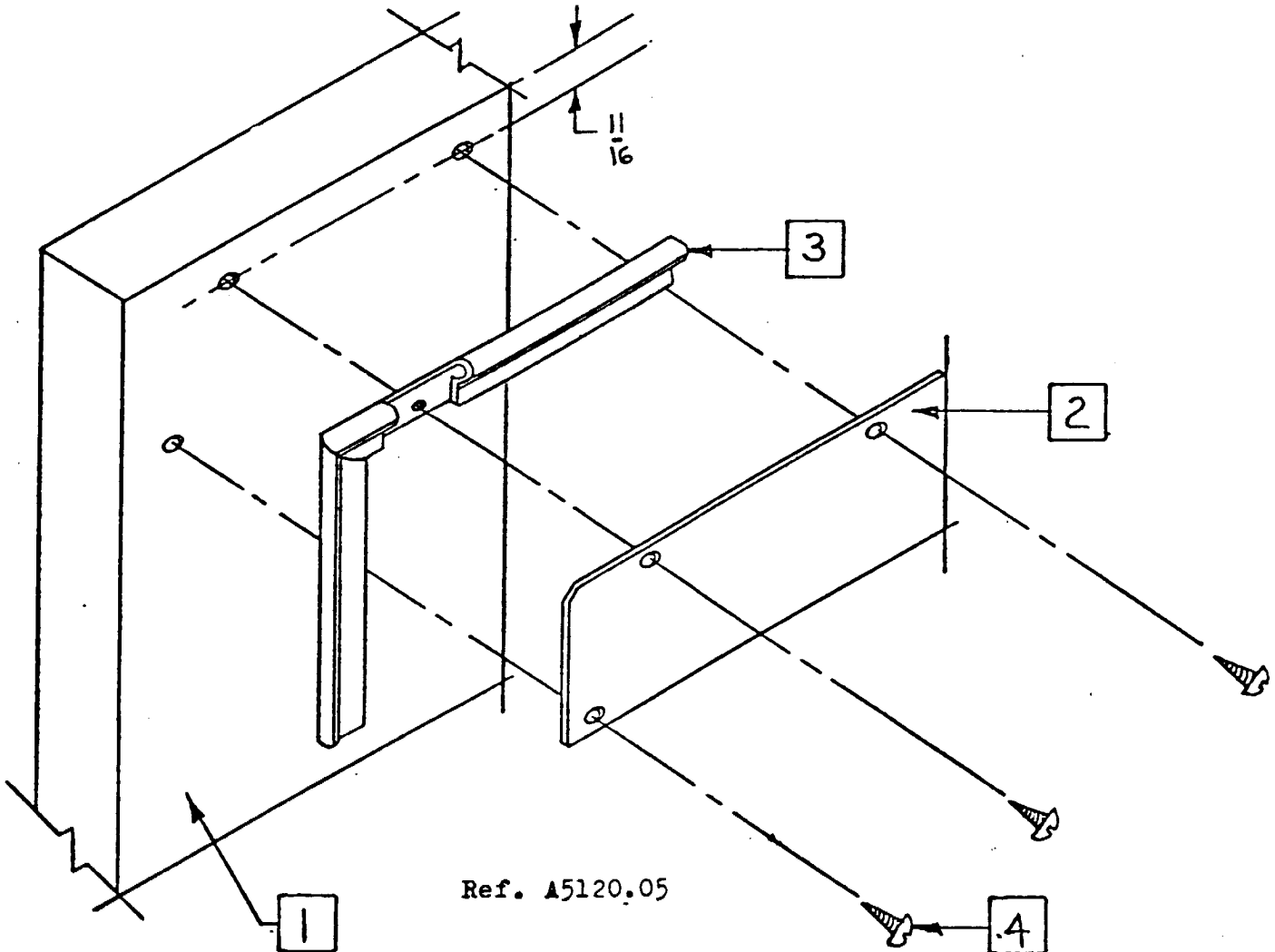
Date: 8/20/71

MODELS: DN246-6, DN438-6 and DN372-6

SUBJECT: Field Sealing Kit - - - Main Door

REASON: To prevent water from entering the door via the Gasket Area.

ORDER AS: B/M 164,010,700.04



	(1)	Inner Door		
Kit Consists of	(2)	Gasket Retainer	B164,010,070.03	(1 required)
	(3)	Gasket-Field Kit	B164,010,080.03	(1 required)
	(4)	Sheet Metal Screw	900,300,280.01	(7 required)

- A. Using (2) as template and dimensions shown; drill 1/8 dia holes in (1). Seven (7) places.
- B. Place (3) over (2) and attach to (1) with (4).
- C. After installation, gasket should be flush with top of door and centered from side to side of door.

Dixie-Narco
 Service Department